



Model Number

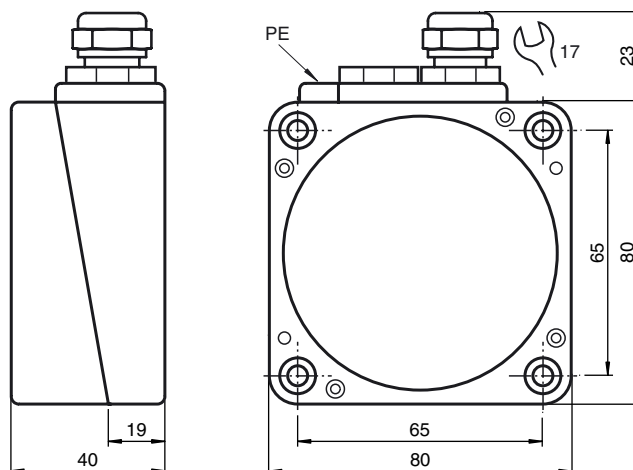
IQH1-FP7V4A

HF read/write head, ISO 15693, for IDENTControl

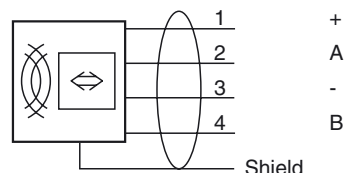
Features

- Operating frequency 13.56 MHz
- Conforms to ISO 15693
- Suitable for FRAM transponder
- Dual-LED for function display
- Stainless steel housing
- Resistant against cleaning material
- Connection via terminal compartment
- Degree of protection IP67 / IP68 / IP69K
- For connection to IDENTControl control interface

Dimensions



Electrical connection



Technical data

General specifications

| | |
|---------------------|--------------|
| Operating frequency | 13.56 MHz |
| Transfer rate | 26 kBit/s |
| Sensing range | |
| Read distance | 0 ... 130 mm |
| Write distance | 0 ... 130 mm |
| Width | max. 100 mm |
| UL File Number | E87056 |

Functional safety related parameters

| | |
|--------------------------------|-------|
| MTTF _d | 680 a |
| Mission Time (T _M) | 10 a |
| Diagnostic Coverage (DC) | 0 % |

Indicators/operating means

| | |
|------------------|--|
| LED green/yellow | green: power on green flashing: read/write attempt performed yellow: data carrier detected |
|------------------|--|

Electrical specifications

| | | |
|-------------------|----------------|-----------------------|
| Power consumption | P ₀ | ≤ 1.3 W |
| Supply | | from the IDENTControl |

Directive conformity

| | |
|--|---|
| Radio and telecommunication terminal equipment | |
| Directive 2014/53/EU | EN 301489-1 V1.8.1 (2008-04), EN 301489-3 V1.4.1 (2002-08), EN 300330-2 V1.3.1 (2006-04), EN 60950-1:2006 |

Standard conformity

| | |
|-------------------------------|--|
| Electromagnetic compatibility | EN 61000-6-2, EN 61000-6-4 |
| Degree of protection | EN 60529 |
| RFID | ISO/IEC 15693-2:2006, ISO/IEC 15693-3:2009, ISO/IEC 18000-3:2010 |

Ambient conditions

| | |
|---------------------|--------------------------------|
| Ambient temperature | -25 ... 70 °C (-13 ... 158 °F) |
| Storage temperature | -40 ... 85 °C (-40 ... 185 °F) |

Mechanical specifications

| | |
|------------------------|---|
| Degree of protection | IP69K |
| Connection | terminal compartment, ≤ 2.5 mm ² conductor csa |
| Material | |
| Housing | PBT |
| Base | stainless steel V4A |
| Encapsulation compound | CY 221/HY 2966 |

Installation

| | |
|----------------------------|---|
| Distance between two heads | Multiplex on: ≥ 100 mm Multiplex off: ≥ 150 mm |
| Mass | approx. 700 g |

Accessories

IC-KP-B17-AIDA1

IDENTControl control interface
With Ethernet interface for TCP/IP,
PROFINET, EtherNet/IP, and MODBUS
TCP protocols

IC-KP2-1HB17-2V1D

IDENTControl Compact control interface
With Ethernet interface for TCP/IP,
PROFINET, EtherNet/IP, and MODBUS
TCP protocols

IC-KP2-2HB17-2V1D

IDENTControl Compact control interface
With Ethernet interface for TCP/IP,
PROFINET, EtherNet/IP, and MODBUS
TCP protocols

IC-KP2-1HB6-V15B

Control interface unit
IDENTControl Compact
with PROFIBUS DP interface

IC-KP2-2HB6-V15B

Control interface unit
IDENTControl Compact
with PROFIBUS DP interface

IC-KP2-1HRX-2V1

Control interface unit
IDENTControl Compact
with serial interface RS-232 and RS-485

IC-KP2-2HRX-2V1

Control interface unit
IDENTControl Compact
with serial interface RS-232 and RS-485

IC-KP2-2HB21-2V1D

Control interface unit
IDENTControl Compact
with EtherCAT interface

V1-G-5M-PUR-ABG-V1-W

Connecting cable, M12 to M12, PUR ca-
ble 4-pin, shielded

V1-G-10M-PUR-ABG-V1-W

Connecting cable, M12 to M12, PUR ca-
ble 4-pin, shielded

IQC21-30 25pcs

Data carrier

IQC21-50 25pcs

Data carrier

IQC21-58

Data carrier

IQC21-50PVC

Data carrier

IQC33-20 50pcs

Data carrier

IQC33-30 25pcs

Data carrier

IQC33-50 25pcs

Data carrier

AB-FP

Mounting bracket